

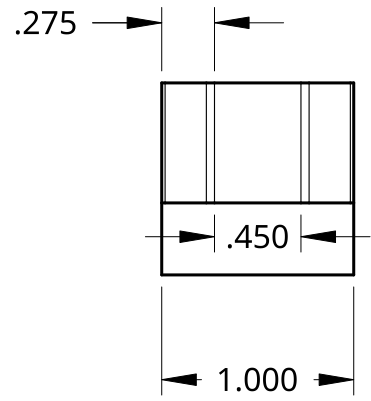
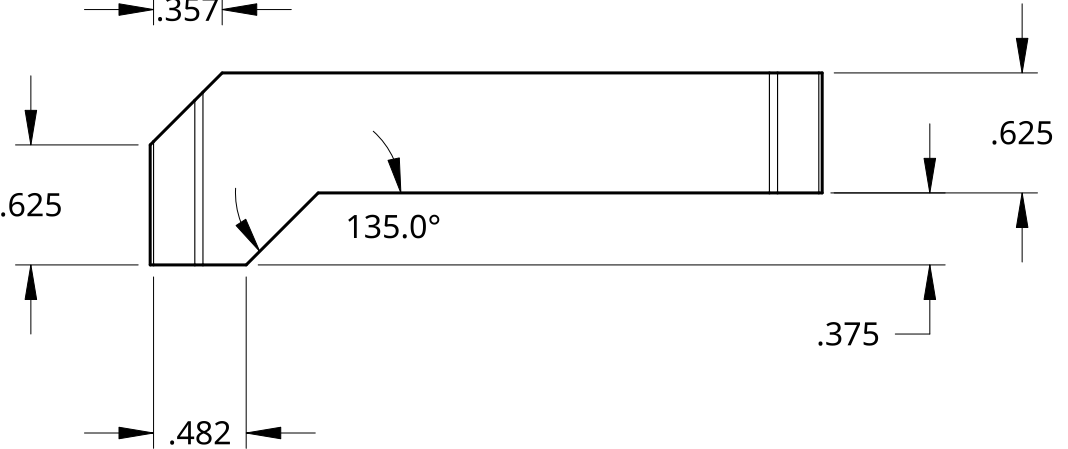
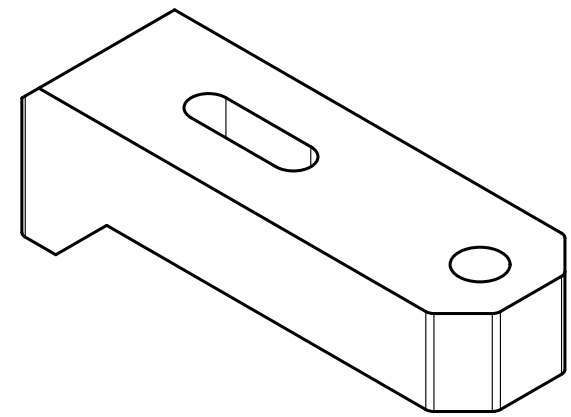
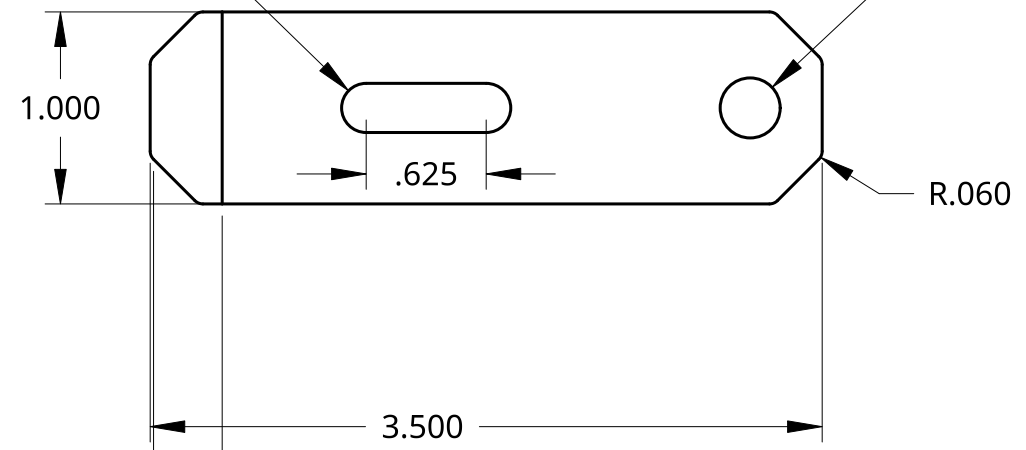
2 1

R.128  
(1/4" drill bit)

Ø.313  
(5/16" drill bit)

B

B



A

A

2

1

UNLESS OTHERWISE SPECIFIED, DIMENSIONS ARE IN INCHES .XX = ±.0- .XXX = ±.00- .XXXX = ±.000-		NAME	DATE	TITLE <b>Toe Clamp for OMIO Drawing</b>	
ANGULAR = ± ° FRACTIONAL = ±	DRAWN	DEANNA CLARK	10/11/2021		
SURFACE FINISH	CHECKED			SIZE <b>A</b>	
DO NOT SCALE DRAWING	APPROVED			DWG. NO. <b>1</b>	
BREAK ALL SHARP EDGES AND REMOVE BURRS				REV.	
THIRD ANGLE PROJECTION	MATERIAL	FINISH		SCALE <b>1:1</b>	WEIGHT
				SHEET <b>1 of 1</b>	